

ABC's and 123's

11	12	13
	22	

Materials needed: two dot dice, one 1-6 number cube, pencil, 0-110 number grid

Version 1: Roll the dot die and write the number rolled in the top middle square. Determine the numbers that belong in each of the other squares. Use the 0-110 number grid to check your work.

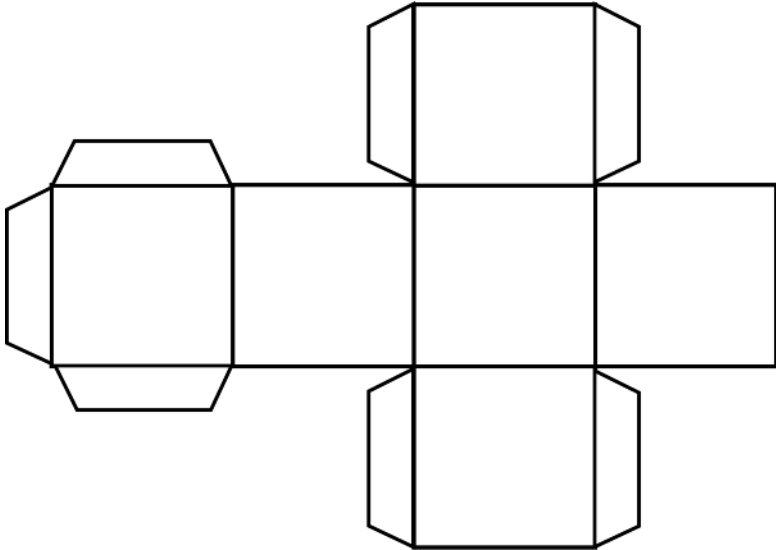
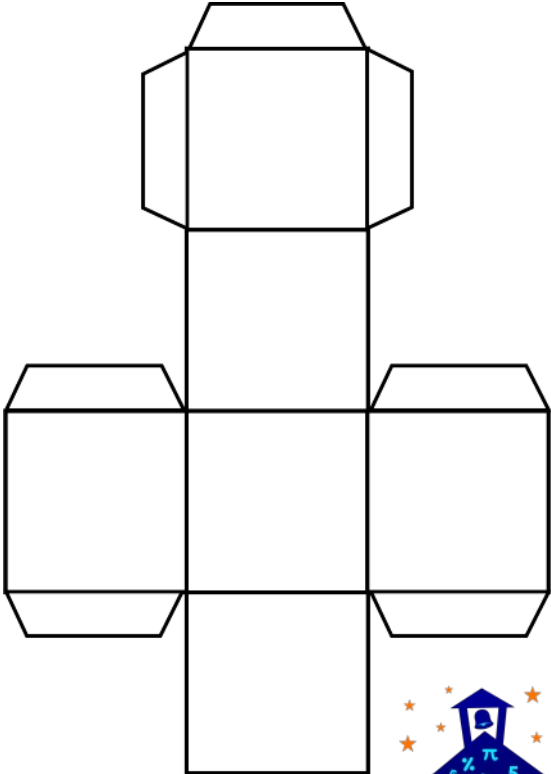
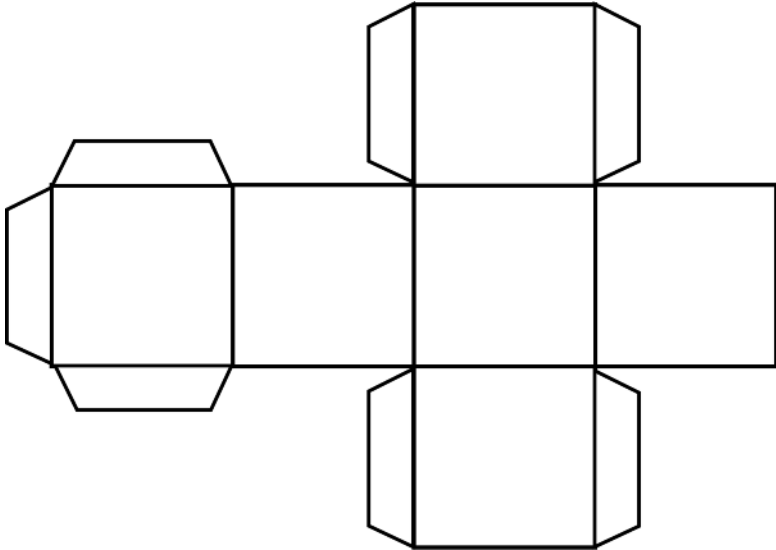
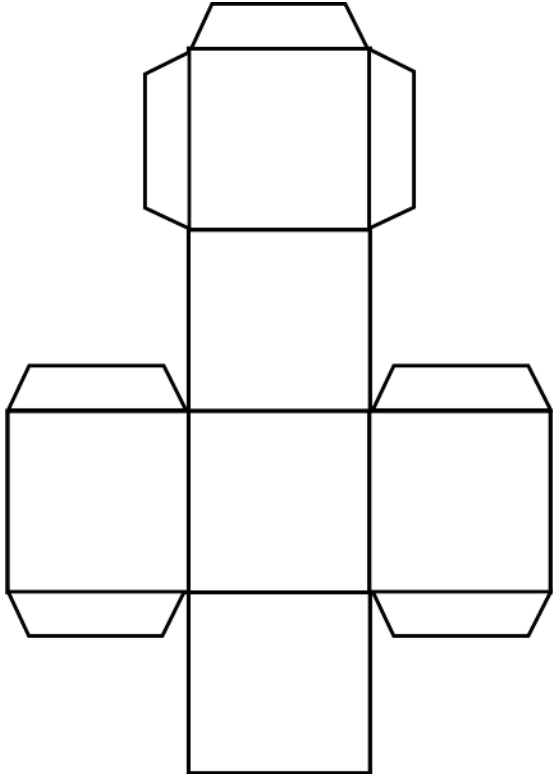
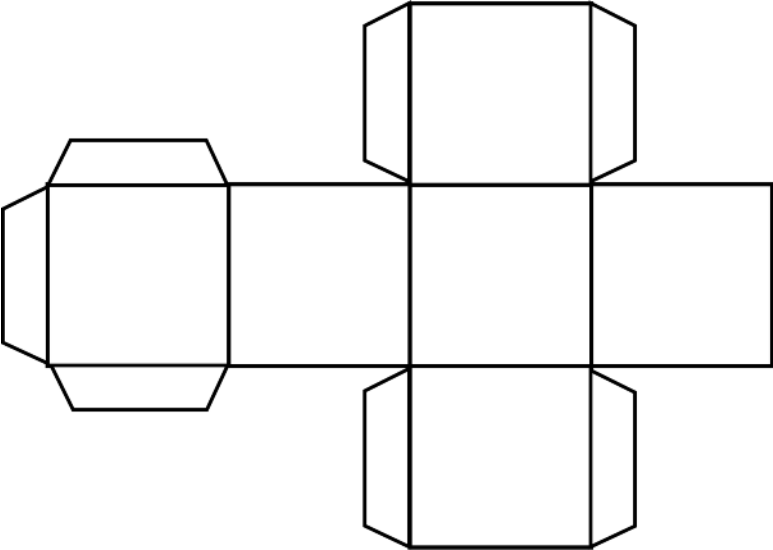
Version 2: Directions are the same as Version 1 except use one dot die and the number cube and find the sum of the two rolled numbers.

Version 3: Directions are the same as Version 1 except use both dot dice and the number cube and find the sum of all three rolled numbers.

Version 4: Directions are the same as Version 1 except use one dot die and the number cube and find the product of the two rolled numbers.

Dice Nets

Remember - opposite sides add up to seven!



									0
1	2	3	4	5	6	7	8	9	10
11	12	13	14	15	16	17	18	19	20
21	22	23	24	25	26	27	28	29	30
31	32	33	34	35	36	37	38	39	40
41	42	43	44	45	46	47	48	49	50
51	52	53	54	55	56	57	58	59	60
61	62	63	64	65	66	67	68	69	70
71	72	73	74	75	76	77	78	79	80
81	82	83	84	85	86	87	88	89	90
91	92	93	94	95	96	97	98	99	100
101	102	103	104	105	106	107	108	109	110